

O SCALE SIGNAL SYSTEM

THE 21ST CENTURY SIGNAL™ SYSTEM

Prototype signal systems are one of the most familiar trackside details to be incorporated on miniature rail systems. Ever since the modern position light signals were introduced by the railroads in the mid-1920s, model train manufacturers have been eager to offer them as the quintessential layout accessory. While capturing the appearance of the real thing, operation, in most cases, has been far less than prototypical... until now.

The Atlas O 21st Century Signal™ System represents a quantum leap in model signal operation and design. A perfect complement to the incredibly realistic and extremely reliable 21st Century Track® System, the signal system can be used as a standalone accessory, or can be connected to one another for completely integrated operation.

Atlas O's 21st Century Signal™ System gives you four choices of signal operation:

Stand-Alone Signal Operation - Each signal is completely independent and gives a timed Stop-Caution-Proceed aspect operation. (Simplest hook-up)

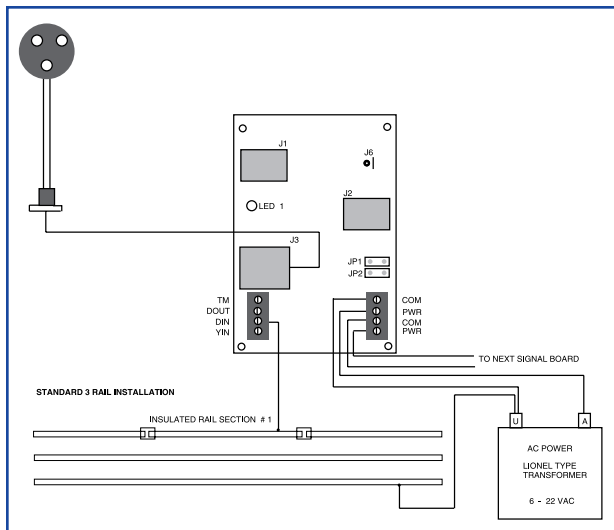
Integrated Operation - Each signal is connected together and the Stop-Caution-Proceed aspects are controlled by the blocks and signals in front of and behind your train. Hook-up between signals is accomplished easily with the Atlas O Signal Cable (Items #6937- 6939), pre-packaged in lengths of 7', 15' and 25'.

Approach-Only Signal Operation - On some prototype railroads, signals are off until a train approaches. The Atlas O Signal system has the provisions to duplicate this operation.

Complex Signaling (in conjunction with the signals and signal boards offered by Custom Signals, Inc.) - The Atlas O Signal System has been designed to be fully compatible with the products offered by Custom Signals, Inc., one of the hobby's premier custom signal builders. Phone: 845-463-1318 or www.customsignals.com

Available for 3-Rail and 2-Rail operation, Atlas O's 21st Century Signal™ System was designed for easy hook-up so you can get started quickly, easily, and in just a few short steps!

Please see the basic installation diagrams below and to the right:



For 2-Rail & 3-Rail Operation!

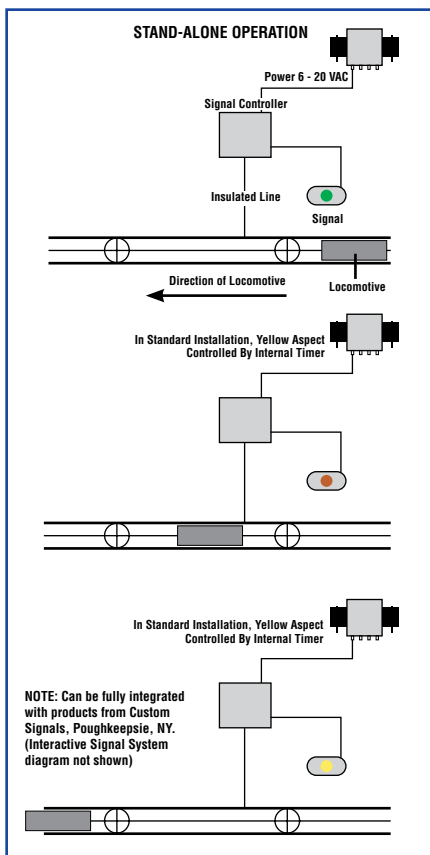
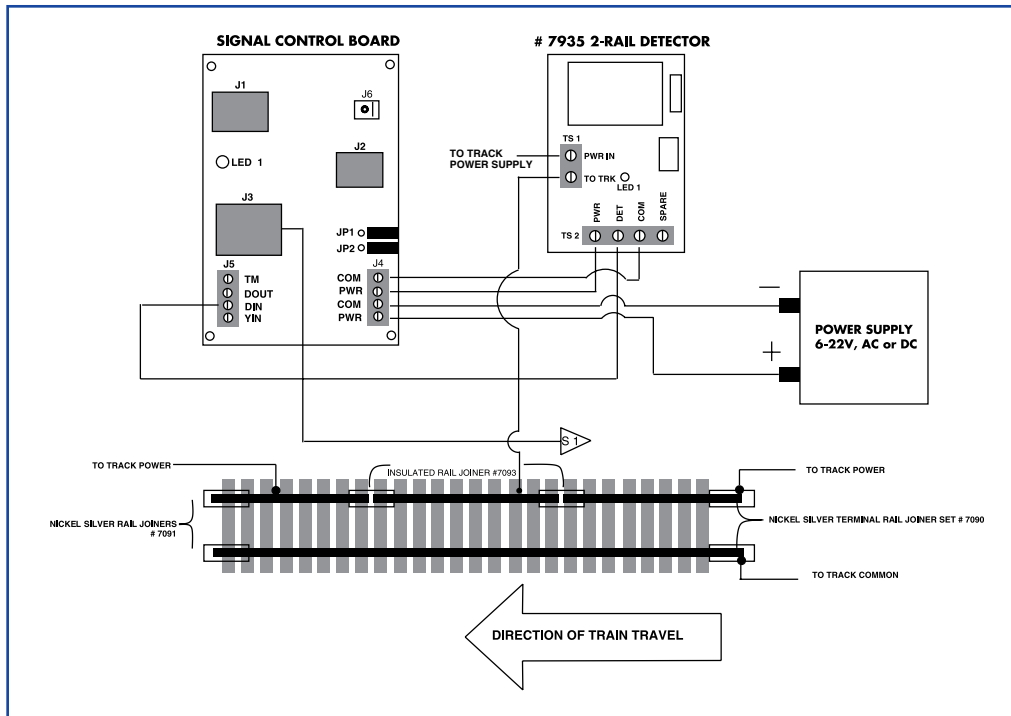
3-RAIL QUICK START DIRECTIONS:

1. Connect the wire from the insulated track section to the terminal strip connector
2. Run the power wires to your source of power (6-22VAC or DC)
3. Plug the signal into the jack

Your installation is complete!

PHONE: 908-687-0880 FAX: 908-851-2550 WWW.ATLASRR.COM WWW.ATLASO.COM

O SCALE SIGNAL SYSTEM



2-RAIL QUICK START DIRECTIONS:

1. Connect track detector to the insulated section of rail
2. Run the power wires to detector and signal circuit board
3. Connect track detector to signal circuit board
4. Plug signal into the jack

Your installation is complete!

STAND-ALONE DIRECTIONS:

Easy Hook-up is as simple as 1, 2, 3!

1. Connect power from transformer to signal circuit board
2. Connect a single wire from an insulated track section on your 3-rail layout (or detector on your 2-rail layout)
3. Plug in your signal to signal circuit board

It's that easy!

O SCALE SIGNAL SYSTEM

O SCALE SIGNAL SYSTEM



Item #6911 3-Rail/#7911 2-Rail
Color Position Light Signal



Item #6925 3-Rail/#7925 2-Rail
PRR Signal



Item #6932 3-Rail/#7932 2-Rail
Type "A" Search Light Signal
(1 Light, 3 Colors)



Item #6930 3-Rail/#7930 2-Rail
Type "G" Signal



Item #7935- 2-Rail
Track Detector



Item #6937- 7' Signal Cable
Item #6938- 15' Signal Cable
Item #6939- 25' Signal Cable
(Used to connect multiple signals
together for 3-Rail/2-Rail)



Item #6931- 3 Rail
Switch Signal Dwarf
(Used to indicate switch position)

3-Rail Kit includes signal, trackside relay shed w/ signal circuit board & instructions. 2-Rail kit includes signal, trackside relay shed w/ signal circuit board, track detector & instructions.

SIGNAL SYSTEM FEATURES:

- Simplest, most realistic system on the market (does not require external relays!)
- Easy set-up (as few as three steps)
- Scale signal structures that have true 1/4" scale dimensions and details
- True prototype operation circuitry
- Modular design with telephone-style cord connections (for use with multiple signals, sold separately, Item #'s 6937-6939)
- Seamless integration that grows with your railroad

To order, please find a dealer near you at <http://locator.atlasrr.com>. For more ordering information and pricing, please see the price list inserted in this catalog.

PHONE: 908-687-0880 FAX: 908-851-2550 WWW.ATLASRR.COM WWW.ATLASO.COM

O SCALE SIGNAL SYSTEM



Item #6934- Four Pack 3-Rail Type "G" Signal
(4 each of #6930)



Item #7934- Four Pack 2-Rail Type "G" Signal
(4 each of #7930)



Item #6926- Four Pack 3-Rail
PRR Signal (4 each of #6925)



Item #7936- Four Pack 2-Rail Type "A"
Search Light Signal (4 each of #7932)



Item #6936- Four Pack 3-Rail Type "A" Search
Light Signal (4 each of #6932)



Item #7926- Four Pack 2-Rail
PRR Signal (4 each of #7925)



Item #6912- Four Pack 3-Rail Color
Position Light (4 each of #6911)



Item #7912- Four Pack 2-Rail Color
Position Light (4 each of #7911)



Item #6935- Four Pack Switch
Signal (4 each of #6931)

To order, please find a dealer near you at <http://locator.atlasrr.com>. For more ordering information and pricing, please see the price list inserted in this catalog.

PHONE: 908-687-0880 FAX: 908-851-2550 WWW.ATLASRR.COM WWW.ATLASO.COM

HO & N SCALE SIGNAL SYSTEM

HO & N SCALE SIGNAL SYSTEMS

Atlas is proud to introduce its Model RR Signal System in both HO & N Scales, offered in three styles, each complete with a signal relay shed. The signals are available as either: single target, double target (interlocking), or bi-directional single targets. Single target signals come individually packaged or in a convenient value-priced four pack. The double and bi-directional target signals are sold individually.

The Atlas Model RR Signal System features true scale dimensions and details, and includes circuitry for North American prototype operation. These signals can be used as a stand-alone accessory, or connected to one another for complete dynamic integration. They are the perfect complement to the full line of realistic and reliable Atlas HO & N gauge track systems. Multiple target signals are designed to allow modelers to incorporate most any track plan. Each signal is wired using common cathode wiring and can be incorporated into any system designed to operate with a common cathode configuration. The Atlas Model RR Signal System can be used on layouts using either conventional DC power (analog) or DCC (Digital Command Control). The only difference between analog and DCC operation is the type of block detector used. For DC layouts, use Atlas #233 Analog Block Detectors. For DCC layouts, use DCC block detectors, such as the NCE BD-20.

FREQUENTLY ASKED QUESTIONS

Q. What do you need to get started?

A. The number of signals and detector boards you use depends on the size and complexity of your layout. Each signal target requires a separate control board and block detector. The easiest way to get started with DC track power is to use the all-in-one pack Type G Single Target Kit, #236 (HO Scale) #2236 (N Scale). More information is available in the manual that comes with the signals.

Q. What does the signal control board (SCB) and the block detector board (BDB) do?

A. The signal control board and block detector board comprise the electronic "brain" of the system. The block detector senses current flow in the block. Installed under the table or mounted under your layout, the control board is capable of four modes of signal operation. It controls the input from the block detector board and output to the signal target head.

Q. How does the stand-alone signal operation work?

A. The Red and Green are controlled by occupancy. The Yellow is the controlled timed feature in this mode of operation.

Q. Where do I install the signal?

A. The signal is normally placed at the entrance to a block. (A block is any section of track that is electrically isolated from the rest of the layout.)

Q. How do I add integrated signal operation?

A. To add integrated signal operation of two or more signals, plug in the modular Atlas Signal Cable - Item #'s 230 (7'), 231 (15') & 232, (25'), in the length that is appropriate for your block size. Next, plug the cable into a jack, (RJ-11), on the first signal board and into the jack, (RJ11), on the other signal board. Jack 3, (RJ12), is where the signal plugs in.

Q. How does the integrated signal operation work?

A. Installation of the Integrated Signal Cable automatically disengages the timed Yellow feature of the stand-alone signal. All aspects are now under full control of the blocks and signals in front of and behind your train (See manual for details.)

To order, please find a dealer near you at <http://locator.atlasrr.com>. For more ordering information and pricing, please see the price list inserted in this catalog.

PHONE: 908-687-0880 FAX: 908-851-2550 WWW.ATLASRR.COM WWW.ATLASO.COM

HO & N SCALE SIGNAL SYSTEM

HO & N SCALE SIGNAL SYSTEMS



Item #235 - HO Type "G" Single Target A



Item #238 - HO Type "G" Double Target A



Item #239 - HO Type "G" Bi-Directional Single Target A



Item #237 - HO Type "G" Single Target (4-Pack) C



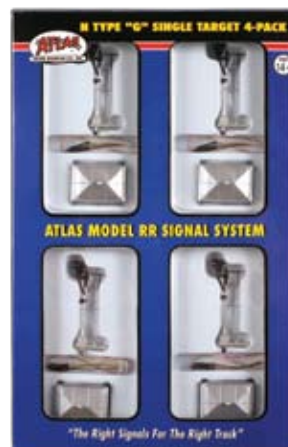
Item #2235 - N Type "G" Single Target A



Item #2238 - N Type "G" Double Target A



Item #2239 - N Type "G" Bi-Directional Single Target A



Item #2237 - N Type "G" Single Target (4-Pack) C



Item #234 - HO Signal Control Board
Item #2234 - N Signal Control Board



Item #233 - Analog Block Detector



Item #230 - 7' Signal Cable
Item #231 - 15' Signal Cable
Item #232 - 25' Signal Cable



Item #70 000 013 - HO Signal Equipment Shed



Item #60 000 036 - N Signal Equipment Shed



To order, please find a dealer near you at <http://locator.atlasrr.com>. For more ordering information and pricing, please see the price list inserted in this catalog.

PHONE: 908-687-0880 FAX: 908-851-2550 WWW.ATLASRR.COM WWW.ATLASO.COM